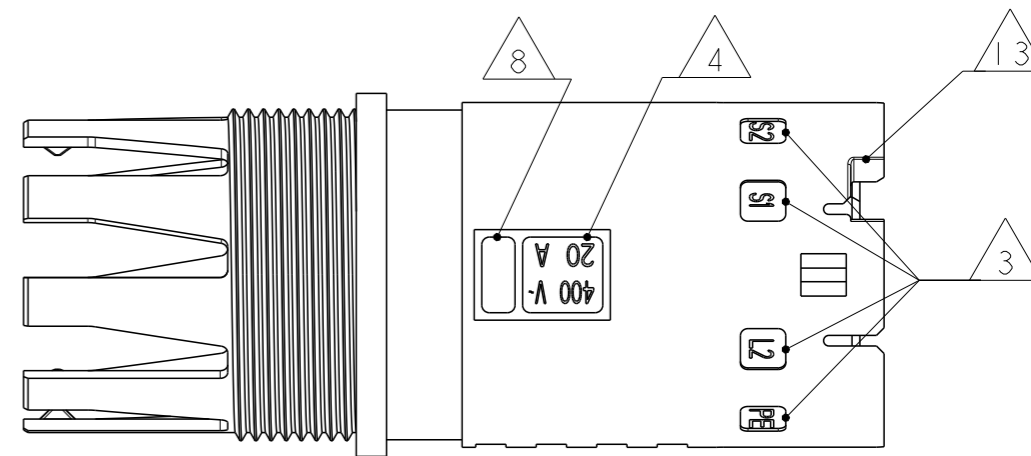


THIS DRAWING IS UNPUBLISHED. RELEASED FOR PUBLICATION 2011
© COPYRIGHT 2011 BY - ALL RIGHTS RESERVED.

| LOC | DIST | REVISIONS | | | | | |
|-----|------|-----------|-----|-------------------------------|-----------|-----|------|
| | | P | LTR | DESCRIPTION | DATE | DWN | APVD |
| 1 | - | | 2 | UPDATED | 02MAY2011 | AB | GT |
| | | | 3 | UPDATED | 21MAY2011 | AB | GT |
| | | | 4 | UPDATED | 22JUL2013 | MZ | JC |
| | | | A | PARTS RELEASED FOR PRODUCTION | 12NOV2013 | MZ | JC |




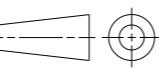
NOTES:

- 1 MATERIAL: PA GF (NATURAL AND BLACK COLOUR)
- 2 ALL POLARIZATION KEYS SHOWN FOR REF ONLY
- 3 WAYS I.D.
- 4 VOLTAGE AND CURRENT RATINGS
- 5 TE LOGO
- 6 TE PART NUMBER
- 7 DATA CODE
- 8 AREA FOR AGENCIES APPROVAL LOGO
- 9 VISUAL INDOCATOR FOR PE CONDUCTOR

10) SEE C-DRAWING 293682 (LOCKING CAP) TO GET IP 40

- 11 IP CODE
- 12 CAVITY I.D.
- 13 SLOTS TO ALLOW DELATCHING TOOL OPERATION. FOR DEALTCHING TOOL AND OPERATION REFER TO APPLICATION SPECIFICATION



| | | | | |
|---|--|---------------------------------|--|-----------------|
| THIS DRAWING IS A CONTROLLED DOCUMENT. | | DWN A. BERNARDI 31MAR2011 |  TE Connectivity | |
| DIMENSIONS: mm | | CHK M. ZUCCA 31MAR2011 | | |
| TOLERANCES UNLESS OTHERWISE SPECIFIED: | | APVD G. TURCO 31MAR2011 | NAME SOCKET HOUSING 7 POLES FREE HANGING M-LINE NECTOR UNSEALED VERSION | |
|  | | PRODUCT SPEC - | RESTRICTED TO - | |
| MATERIAL - | | FINISH - | APPLICATION SPEC - | SIZE A300779 |
| | | WEIGHT - | CAGE CODE C-293721 | DRAWING NO - |
| | | Customer Drawing | SCALE 2:1 | SHEET 1 OF 2 |
| | | | | REV A |

THIS DRAWING IS UNPUBLISHED.

RELEASED FOR PUBLICATION

2011

© COPYRIGHT 2011 BY -

ALL RIGHTS RESERVED.

| LOC | DIST | REVISIONS | | | | | |
|-----|------|-----------|-----|-------------|------|-----|------|
| | | P | LTR | DESCRIPTION | DATE | DWN | APVD |
| 1 | - | - | - | SEE SHEET 1 | - | - | - |
| | | | | | | | |
| | | | | | | | |

POLARIZATION TYPES

| POLARIZATION TYPE "A" | POLARIZATION TYPE "B" | POLARIZATION TYPE "C" |
|-------------------------------|-------------------------------|-------------------------------|
| | | |
| PNs 0-293721-1 AND 1-293721-1 | PNs 0-293721-2 AND 1-293721-2 | PNs 0-293721-3 AND 1-293721-3 |
| POLARIZATION TYPE "D" | POLARIZATION TYPE "E" | |
| | | |
| PNs 0-293721-4 AND 1-293721-4 | PNs 0-293721-5 AND 1-293721-5 | |

TABLE 1

| NOTE | POL. KEYING | COLOUR | DESCRIPTION | REV. | P/N |
|------|-------------|---------|--|------|------------|
| | E | BLACK | SKT HSG 7 POLE FREE HANGING NECTOR* M-LINE | A | 1-293721-5 |
| | D | BLACK | SKT HSG 7 POLE FREE HANGING NECTOR* M-LINE | A | 1-293721-4 |
| | C | BLACK | SKT HSG 7 POLE FREE HANGING NECTOR* M-LINE | A | 1-293721-3 |
| | B | BLACK | SKT HSG 7 POLE FREE HANGING NECTOR* M-LINE | A | 1-293721-2 |
| | A | BLACK | SKT HSG 7 POLE FREE HANGING NECTOR* M-LINE | A | 1-293721-1 |
| | E | NATURAL | SKT HSG 7 POLE FREE HANGING NECTOR* M-LINE | A | 0-293721-5 |
| | D | NATURAL | SKT HSG 7 POLE FREE HANGING NECTOR* M-LINE | A | 0-293721-4 |
| | C | NATURAL | SKT HSG 7 POLE FREE HANGING NECTOR* M-LINE | A | 0-293721-3 |
| | B | NATURAL | SKT HSG 7 POLE FREE HANGING NECTOR* M-LINE | A | 0-293721-2 |
| | A | NATURAL | SKT HSG 7 POLE FREE HANGING NECTOR* M-LINE | A | 0-293721-1 |

THIS DRAWING IS A CONTROLLED DOCUMENT.

| | |
|-------------|--|
| DIMENSIONS: | TOLERANCES UNLESS OTHERWISE SPECIFIED: |
| mm | |
| | 0 PLC ±- |
| | 1 PLC ±0.3 |
| | 2 PLC ±0.20 |
| | 3 PLC ±- |
| | 4 PLC ±- |
| | ANGLES ±3° |
| MATERIAL - | FINISH - |

| | | |
|------------------|-------------|-----------|
| DWN | A. BERNARDI | 31MAR2011 |
| CHK | M. ZUCCA | 31MAR2011 |
| APVD | G. TURCO | 31MAR2011 |
| PRODUCT SPEC | - | |
| APPLICATION SPEC | - | |
| WEIGHT | - | |



NAME
SOCKET HOUSING 7 POLES FREE HANGING M-LINE NECTOR UNSEALED VERSION

| | | | |
|------|-----------|------------|---------------|
| SIZE | CAGE CODE | DRAWING NO | RESTRICTED TO |
| A3 | 00779 | C-293721 | - |

Customer Drawing SCALE 2:1 SHEET 2 OF 2 REV A